

## Data sheet

### NEB 21 R

#### Printed circuit board mounting for power supply chassis part (right angle) with break contact

Right-angle power connector/chassis for mounting on printed circuit board (PCB), equipped with break contact. Suitable for DC power supplies.

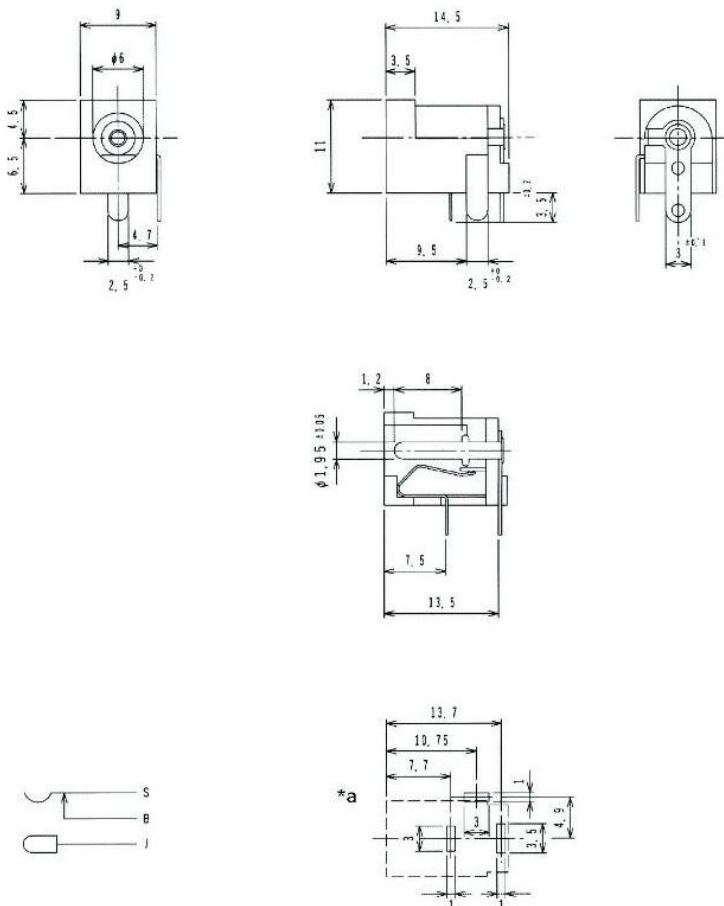


General data	
Connector type	Power connector
Housing material	PBT GF, flame retardant according to UL94 V-0.
Contact coating	Nickel-plated/tin-plated.
Nominale stroom	2 A, nominal voltage 24 V DC.
Contactweerstand	$\leq 30 \text{ m}\Omega$
Isolatieweerstand	$\geq 100 \text{ M}\Omega$ .
Impulsspanning	500 V / 60 s
Life Cycle	$\geq 5000$ mating cycles.
Temperature range	-20 °C tot +70 °C.
Mechanical aperture	$\varnothing 6,0 \text{ mm}$ with center pin $\varnothing 1,95 \text{ mm}$ .

## Data sheet

Order information	
NEB 21 R	Print assembly power supply chassis part
Per package	250 Pcs.

Benodigheden	



\*a printed circuit board layout, solder side view